

12. IMC two-speed LSHT hydraulic motor series

The IMC series hydraulic motor inherits the IMB series hydrostatic balance motor structure, high efficiency, high starting torque, high volumetric efficiency, etc.

The IMC series two-speed hydraulic motor enables users to select the required displacement for a wide range of special working conditions. Users can switch the displacement by using a remote control or by manual control using the control valve mounted on the motors. The displacement can easily be changed while the motor is still running.

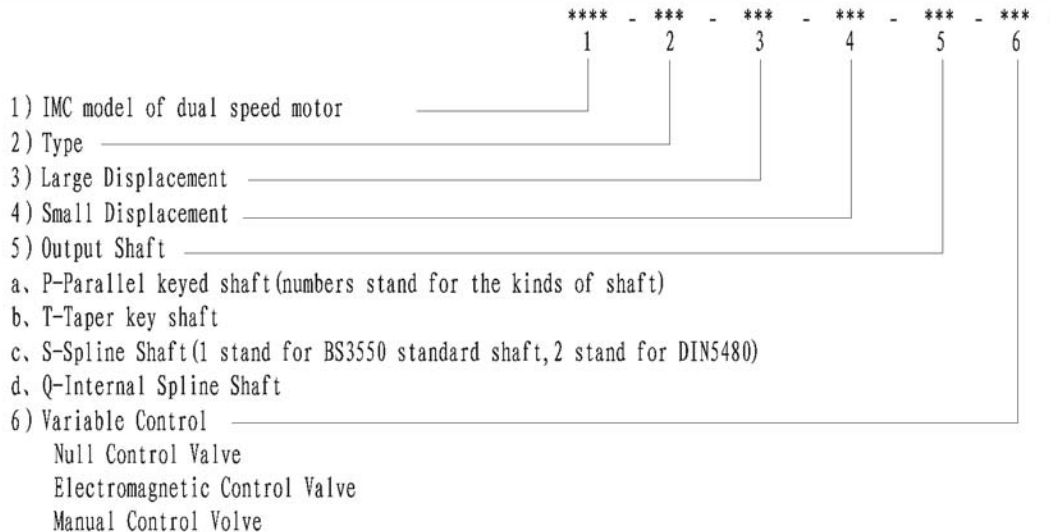
Its main characteristics are as follows:

- two-speed, so when the pump flow is constant, the motor has two-speed.
- Low speed & High-torque ● High Efficiency ● Stable Running ● Wide range of Displacement
- Switchable Displacement while the motor is running
- Switch realized with electro hydraulic or mechanical control

Main Application:

capstan, hoist, windless machinery, hydraulic drive for automobiles, etc,

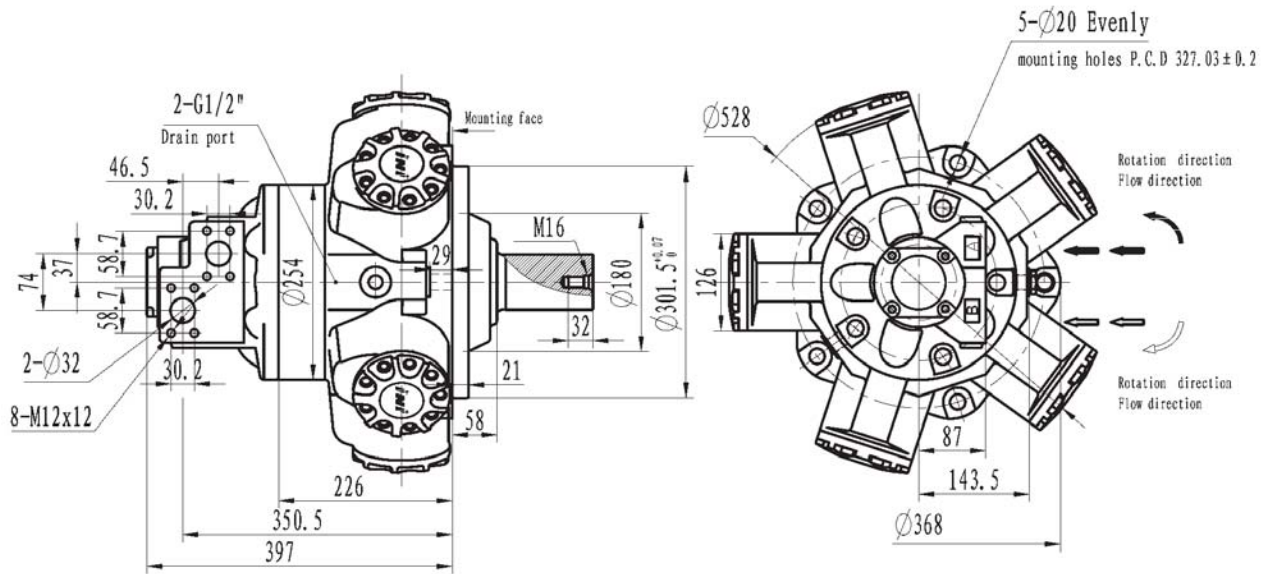
Ordering Code



Example

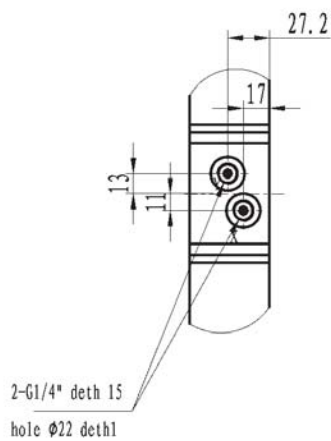
IMC 200 2900 1500 S1	L1A-**
two-speed motor	IMC
type	200
large displacement	2900ml/r
small displacement	1500ml/r
shaft	S1
variable control	L1A null control valve

Dimensions and mounting data for IMC100

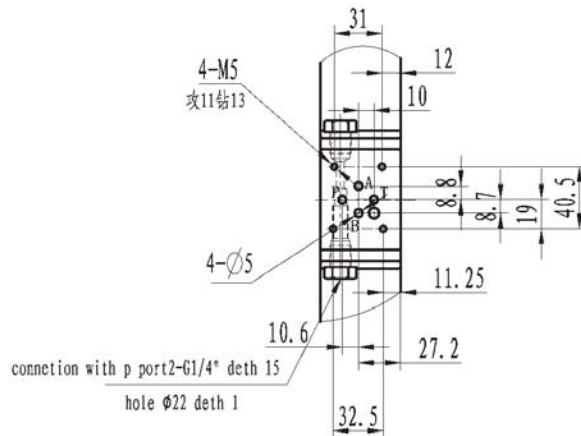


Variable Control's mounting data

L1A mounting data

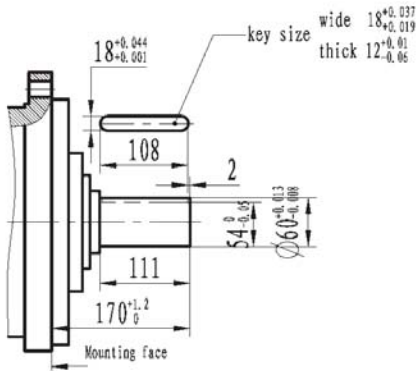


L1B&L1C&L1D mounting data

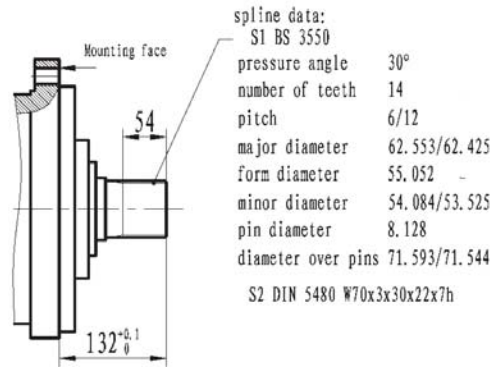


SHAFTS

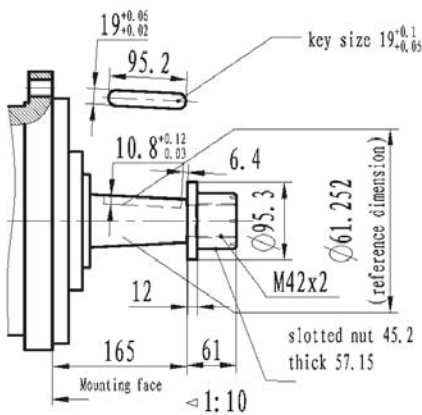
IMC100-P2



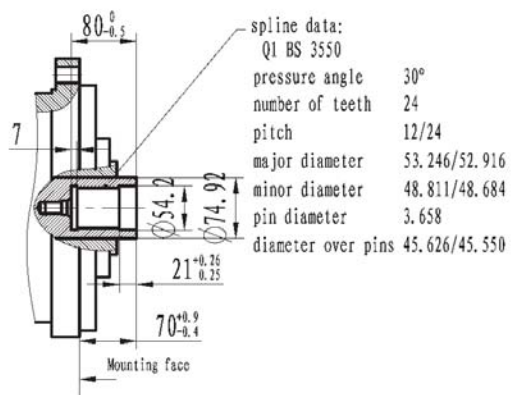
IMC100-S1&S2



IMC100-T1



IMC100-Q1



Nominal Displacement Ordering Code 3 4	1600	1500	1400	1300	1200	1100	1000	900	800	700	600	500	400	300	200	100
Displacement ml/r	1580	1481	1383	1284	1185	1086	987	889	790	691	592	494	395	296	197	98/0
Unit Torque N.M/Mpa	225	212	198	184	169	155	140	125	108	94	78	68	45	30	18	0
Max. Cont. Speed r/min	260	270	280	300	330	370	405	485	540	540	540	540	540	540	540	900
Max. Cont. Speed KW	99	98	96	93	90	84	82	79	74	69	57	46	35	23	10	0
Max. Top. Power KM	120	117	113	109	105	100	97	93	87	81	68	54	40	28	14	0
Max. Cont. Pressure Mpa	21	21	21	21	21	21	21	21	21	21	21	21	21	21	21	15
Max. Top. Pressure Mpa	25	25	25	25	25	25	25	25	25	25	25	25	25	25	25	15

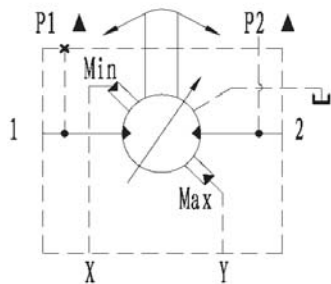
IMC100 Displacement Options

large displacement: 1600, 1500, 1400, 1300, 1200, 1100, 1000, 900, 800:

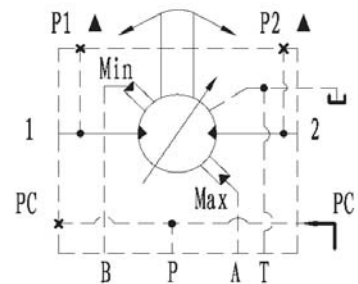
small displacement: 1100, 1000, 800, 700, 600, 500, 400, 300, 200, 100

Functional Symbols

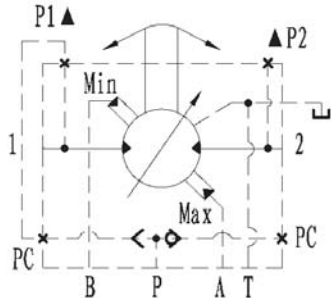
L1A



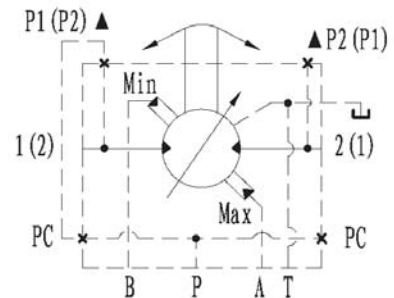
L1B



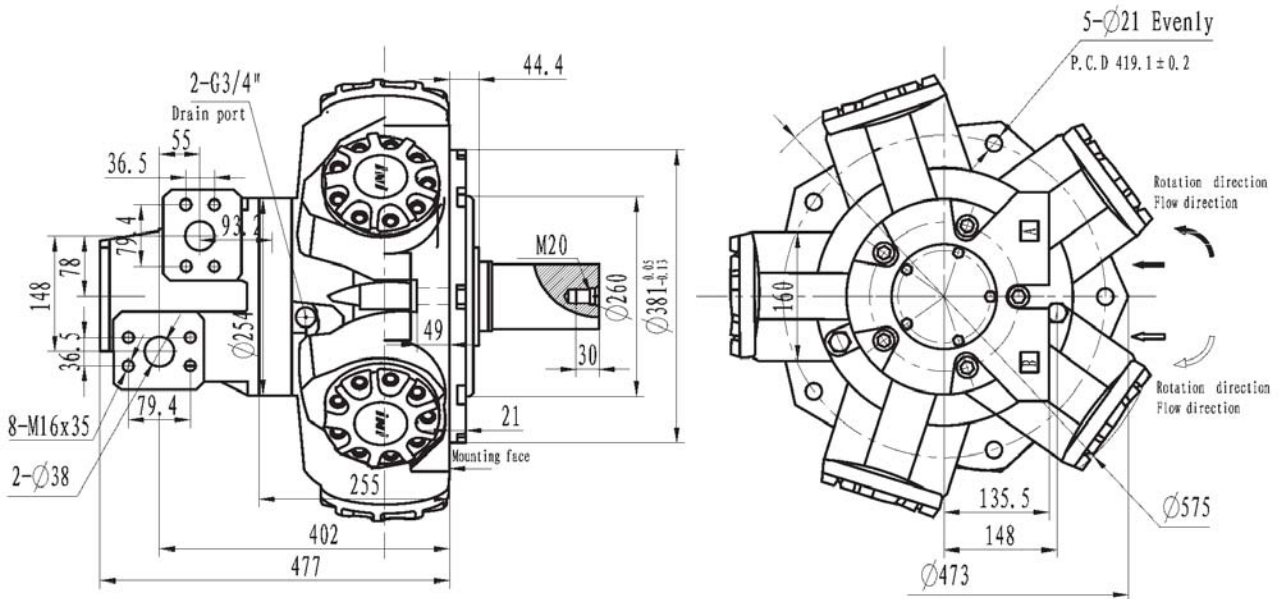
L1C



L1D

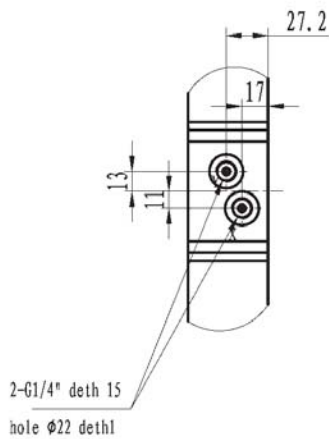


Dimensions and mounting data for IMC125

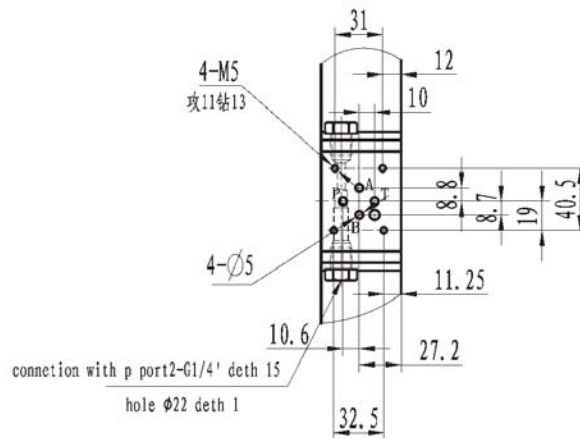


Variable Control's mounting data

L1A mounting data

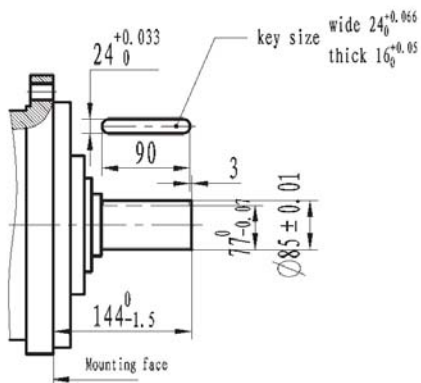


L1B&L1C&L1D mounting data

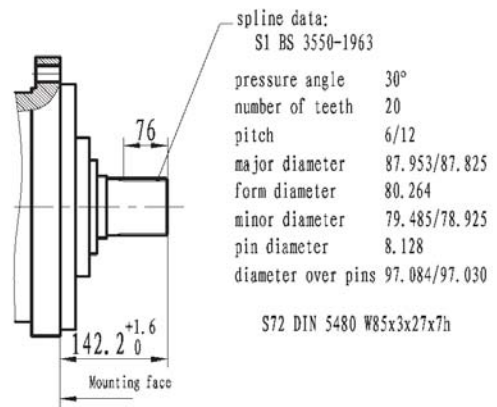


SHAFTS

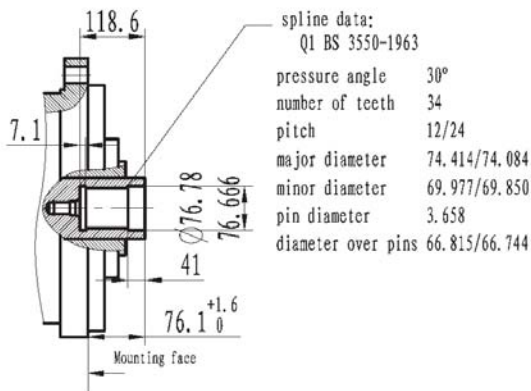
IMC125-P1



IMC125-S1&S2



IMC125-Q1



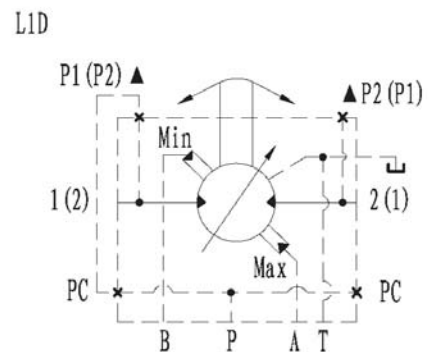
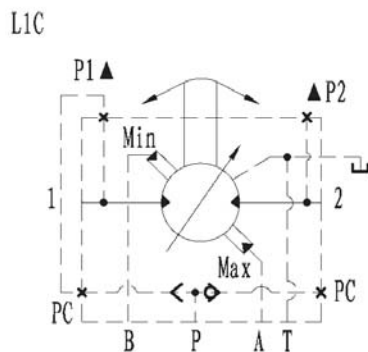
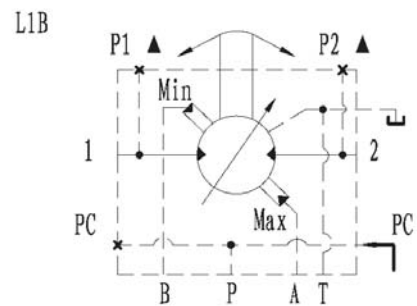
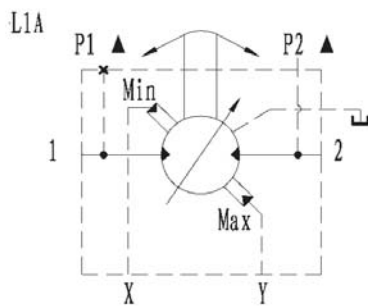
Nominal Displacement Ordering Code 3 4	2100	2000	1800	1600	1500	1300	1200	1000	830	670	510	350	190	110
Displacement ml/r	2066	1973	1811	1649	1487	1325	1163	1001	839	677	515	353	191	109/0
Unit Torque N.M/Mpa	293	281	258	231	206	180	154	125	100	79	57	39	6	0
Max. Cont. Speed r/min	170	175	190	210	230	265	305	350	395	485	540	540	540	900
Max. Cont. Speed KW	91	89	83	77	71	66	60	55	48	42	33	16	3	0
Max. Top. Power KM	106	104	99	95	90	85	79	73	65	57	44	28	5	0
Max. Cont. Pressure Mpa	21	21	21	21	21	21	21	21	21	21	21	21	21	15
Max. Top. Pressure Mpa	25	25	25	25	25	25	25	25	25	25	25	25	25	15

IMC125 Displacement Options

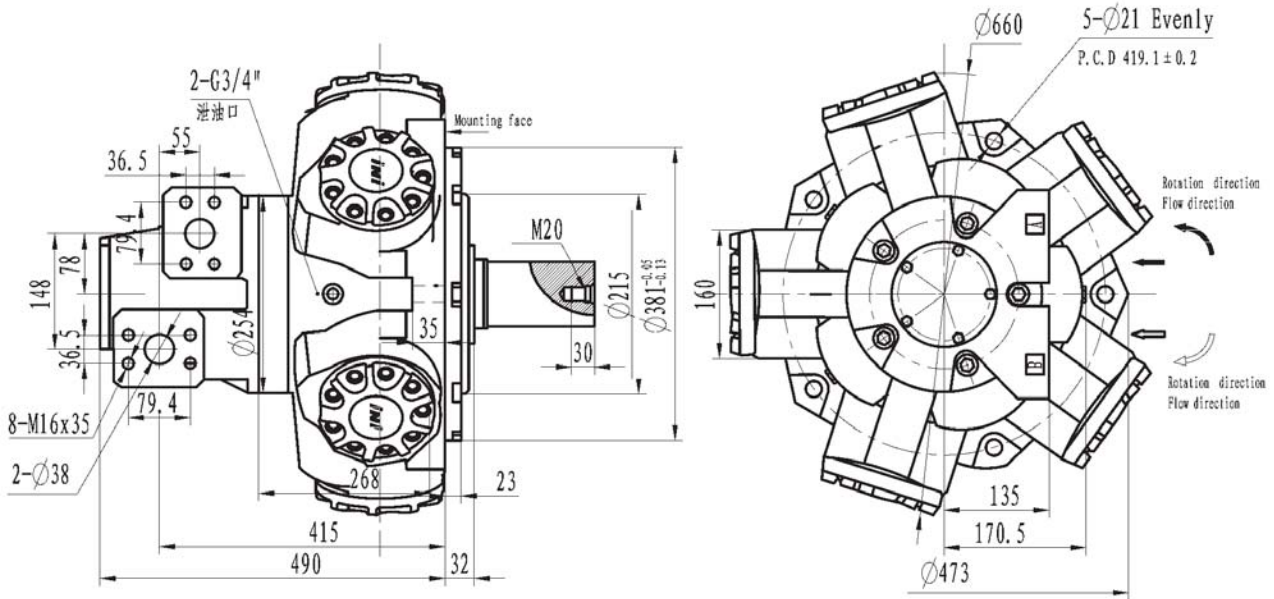
large displacement: 2100, 2000, 1800, 1600

small displacement: 1600, 1500, 1300, 1200, 1000, 830, 670, 510, 350, 190, 110

Functional Symbols

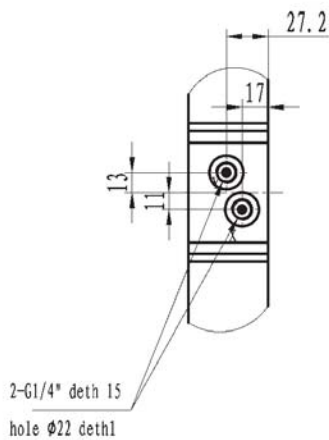


Dimensions and mounting data for IMC200

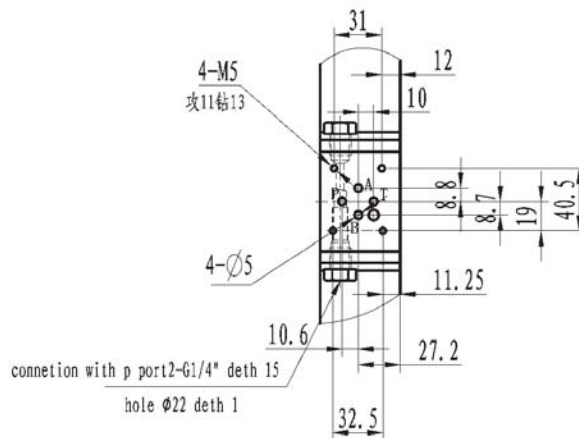


Variable Control's mounting data

L1A mounting data

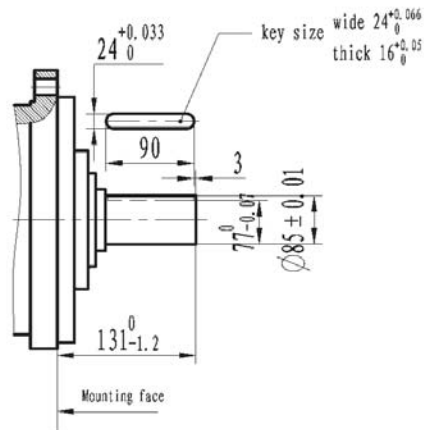


L1B&L1C&L1D mounting data

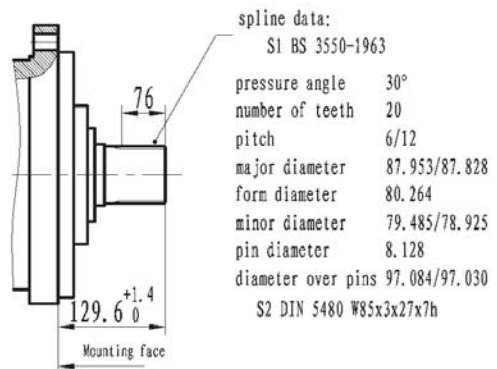


SHAFTS

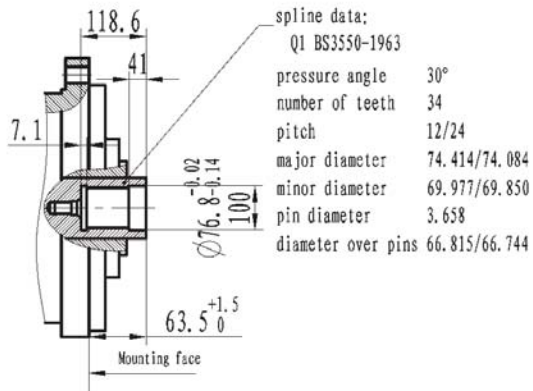
IMC200-P1



IMC200-S1&S2



IMC200-Q1



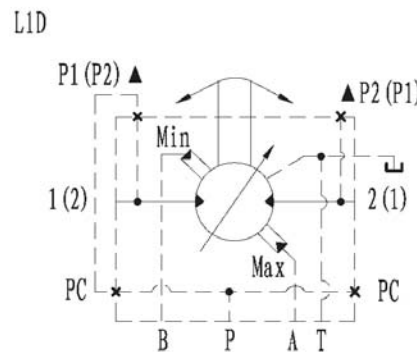
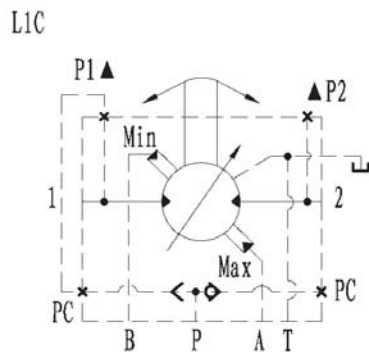
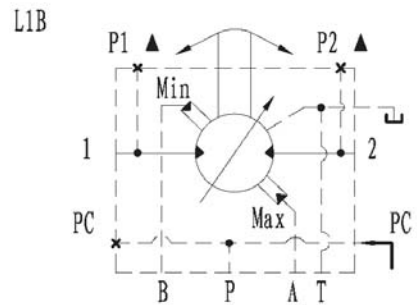
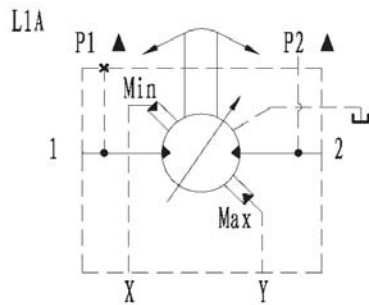
Nominal Displacement	3100	2900	2800	2600	2400	2300	2100	2000	1800	1600	1500	1300	1200	1000	830	670	510	350	190	110
Ordering Code 3 4																				
Displacement ml/r	3080	2958	2796	2634	2472	2310	2148	1973	1811	1649	1487	1325	1163	1001	839	677	515	353	191	109/0
Unit Torque N.M/Mpa	447	422	400	375	351	326	300	281	258	231	206	180	154	125	100	79	57	30	6	0
Max. Cont. Speed r/min	110	115	125	135	140	150	160	175	190	210	230	265	305	350	395	485	540	540	540	900
Max. Cont. Speed KW	131	131	131	124	117	111	96	89	83	77	71	66	60	55	48	42	33	16	3	0
Max. Top. Power KM	146	146	146	139	131	124	116	104	99	95	90	85	79	73	65	57	44	28	5	0
Max. Cont. Pressure Mpa	21	21	21	21	21	21	21	21	21	21	21	21	21	21	21	21	21	21	21	15
Max. Top. Pressure Mpa	25	25	25	25	25	25	25	25	25	25	25	25	25	25	25	25	25	25	25	15

IMC200 Displacement Options

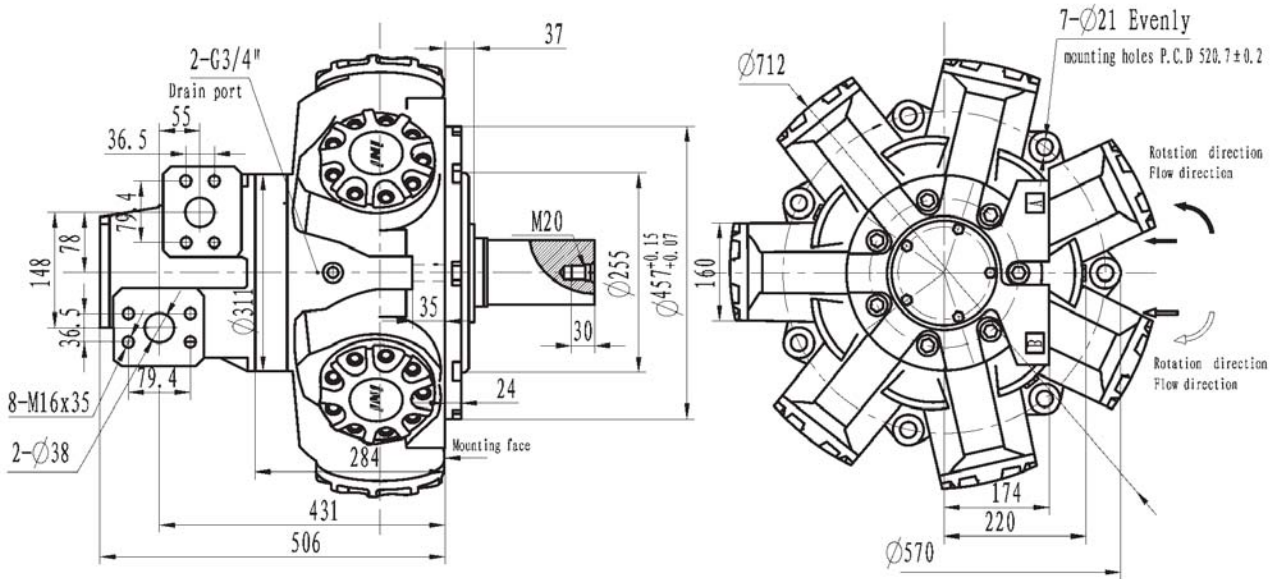
large displacement: 3100, 2900, 2800, 2600, 2400, 2300, 2100, 2000, 1800, 1600

small displacement: 2300, 2100, 2000, 1800, 1600, 1500, 1300, 1200, 1000, 830, 670, 510, 350, 190, 110

Functional Symbols

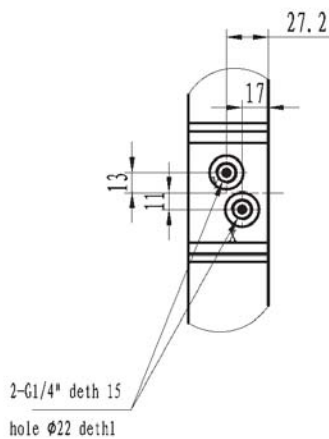


Dimensions and mounting data for IMC270

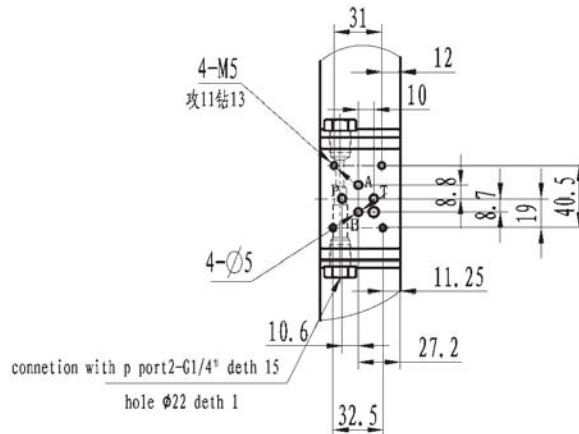


Variable Control's mounting data

L1A mounting data

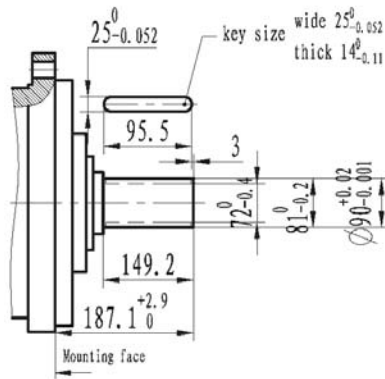


L1B&L1C&L1D mounting data

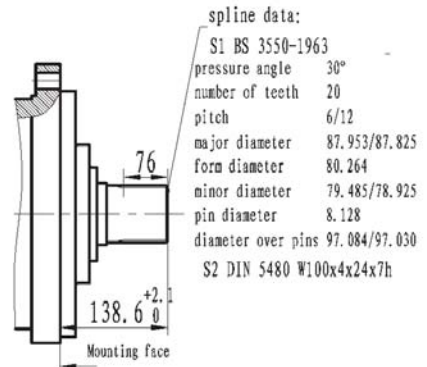


SHAFTS

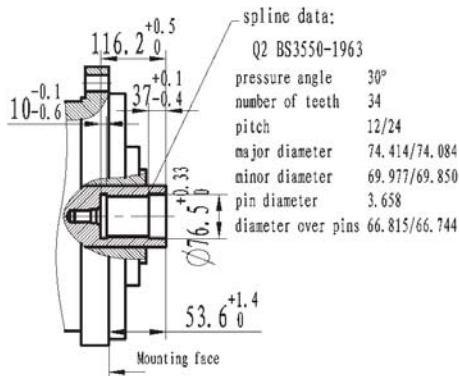
IMC270-P1



IMC270-S1&S2



IMC270-Q1



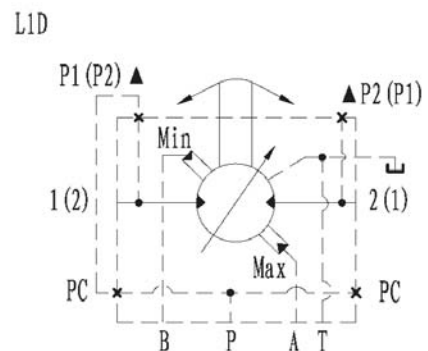
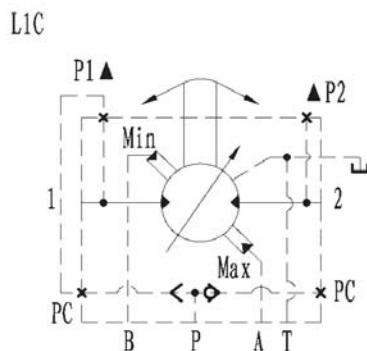
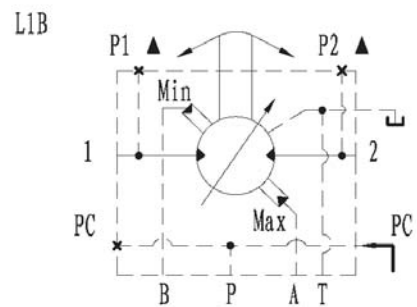
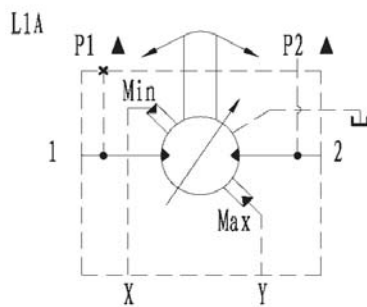
Nominal Displacement Ordering Code 3 4	4600	4100	3600	3300	3000	2600	2300	1900	1600	1400	970	680	340	170
Displacement ml/r	4597	4086	3632	3291	2951	2610	2270	1930	1649	1362	965	681	340	170/0
Unit Torque N.M/Mpa	657	585	514	460	419	356	310	259	210	168	108	73	24	0
Max. Cont. Speed r/min	108	120	135	145	165	180	215	240	290	315	315	315	315	900
Max. Cont. Speed KW	123	115	104	97	90	83	76	68	59	48	37	25	8	0
Max. Top. Power KM	153	149	142	136	129	122	112	102	91	81	68	47	12	0
Max. Cont. Pressure Mpa	21	21	21	21	21	21	21	21	21	21	21	21	21	15
Max. Top. Pressure Mpa	25	25	25	25	25	25	25	25	25	25	25	25	25	15

IMC270 Displacement Options

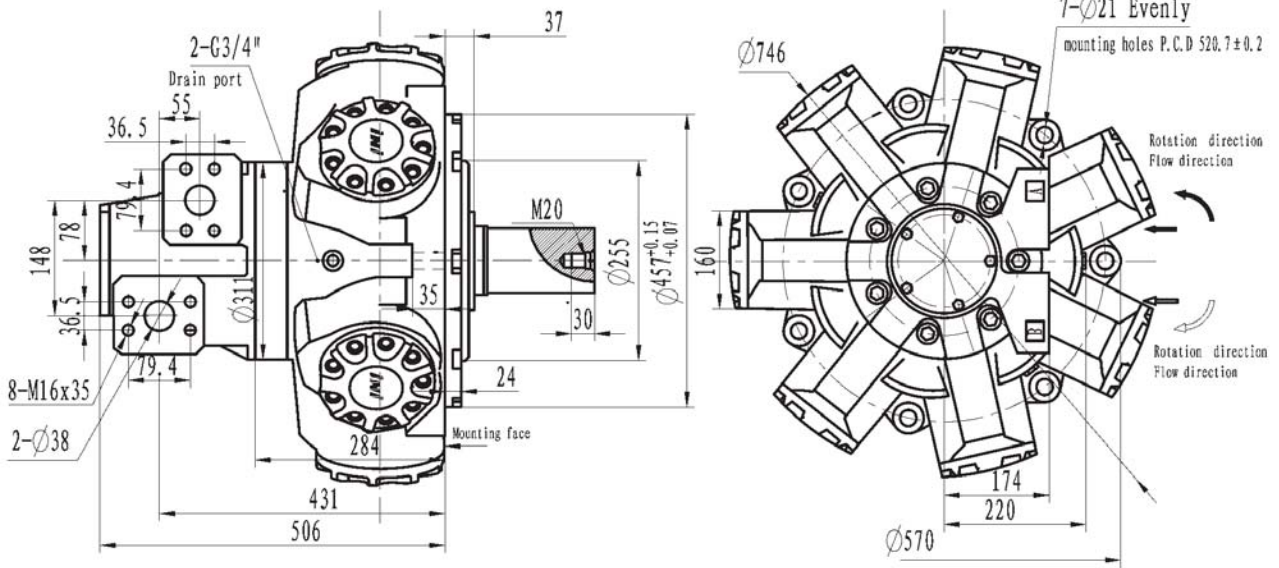
large displacement: 4600, 4100, 3600, 3300

small large displacement: 3300, 3000, 2600, 2300, 1900, 1600, 1400, 680, 340, 170

Functional Symbols

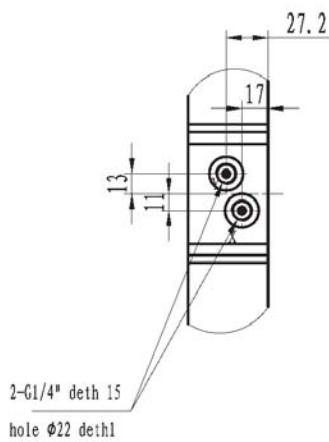


Dimensions and mounting data for IMC325

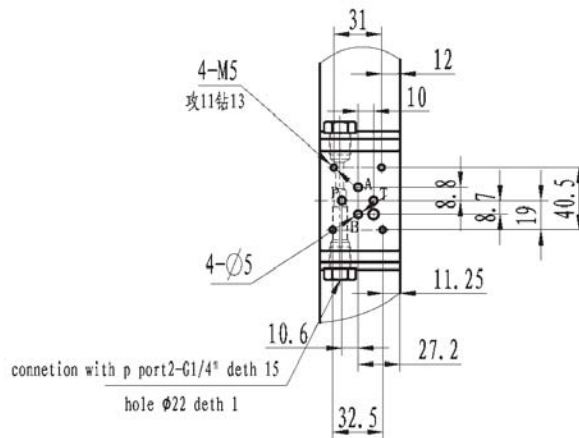


Variable Control's mounting data

L1A mounting data

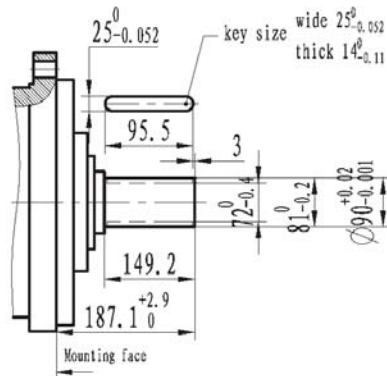


L1B&L1C&L1D mounting data

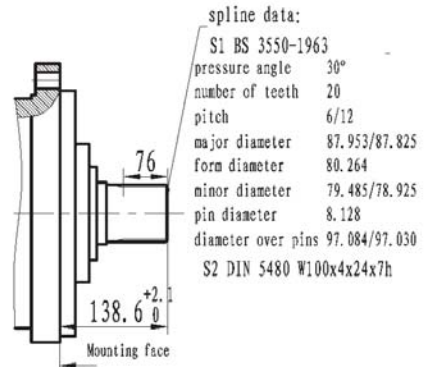


SHAFTS

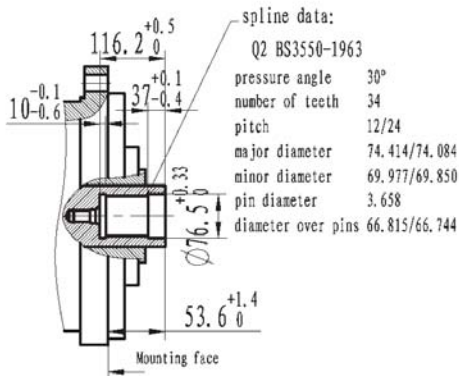
IMC325-P1



IMC325-S1&S2



IMC325-Q1



Nominal Displacement Ordering Code 3 4	5300	5100	4900	3600	3300	3000	2600	2300	1900	1600	1500	1400
Displacement ml/r	5335	5108	4937	3632	3291	2951	2610	2270	1930	1646	1532	1362
Unit Torque N.M/Mpa	763	731	706	514	460	419	356	310	259	210	196	168
Max. Cont. Speed r/min	90	105	110	135	145	165	180	215	240	290	315	315
Max. Cont. Speed KW	123	123	123	104	97	90	83	76	68	59	54	48
Max. Top. Power KM	153	153	153	142	136	129	122	112	102	91	87	81
Max. Cont. Pressure Mpa	21	21	21	21	21	21	21	21	21	21	21	15
Max. Top. Pressure Mpa	25	25	25	25	25	25	25	25	25	25	25	15

IMC325 Displacement Options

large displacement: 5300, 5100, 4900;

small displacement: 3600, 3300, 3000, 2600, 2300, 1900, 1600, 1500, 1400

Functional Symbols

